

PWM500

Fixed Wall Mount

FOR 43"-85" SCREENS

Designed for the installation of large-sized screens. PWM500 is a robust wall mount that provides extraordinary functionality with its minimalist design. The ease of installation makes it very simple to use on all types of wall surfaces. Screen protection against falling, robust finish and, at the same time, modern design allow the use of PWM500 in conference rooms, waiting rooms or public areas.



FEATURES

- Robust design to ensure load capacity up to 80 kg
- Screen protection against falling
- Screen mounting screws included
- Simple and quick installation
- Suitable for installation on brick, concrete, plaster and wooden walls
- Minimalist design and functionality
- Modern design

PRODUCT SPECIFICATIONS

Short index	PWM500
Product group	Display Mounts
Category	Fixed Wall Mounts
Colour	Black
Warranty	Limited 5-years
Number of screens	1
Minimum screen size	43"
Maximum screen size	85"
Maximum load	80 kg
VESA Mounting Compatibility	50×50 up to 800×400



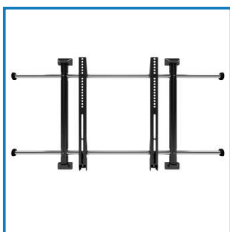
43"-85"



50×50
800×400



80 kg



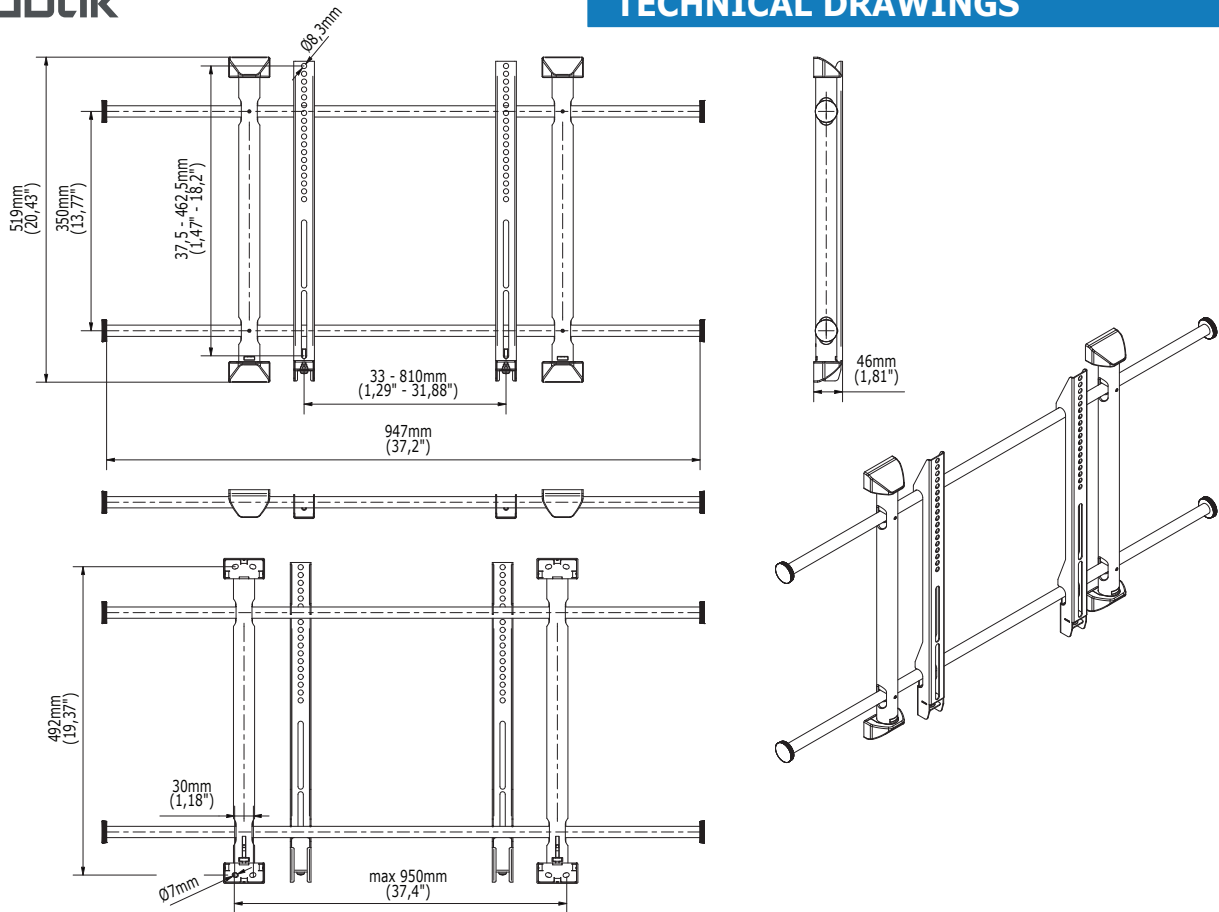
Minimalist design and functionality



Wide range of VESA mounting holes



Simple and quick installation

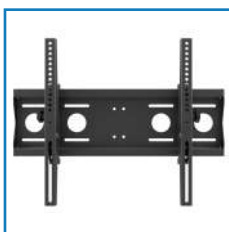

TECHNICAL SPECIFICATIONS

Product dimensions	W: 950 mm D: 46 mm H: 519 mm (W:37,2" D:1,81" H:20,43")
Product weight	5,6 kg (12,34 lb)
Max. distance from mounting surface	46 mm (1,81")
Min. distance from mounting surface	46 mm (1,81")
Max. mounting pattern	910 mm x 460 mm
Min. mounting pattern	50 mm x 50 mm

LOGISTICS DATA

SAP INDEX	EAN CODE	COLOUR	PACKAGE DIMENSIONS	PACKAGE WEIGHT
WUSC-PWM500	5902841106420	BLACK	85 x 1165 x 94 mm 3,3 x 45,8 x 3,7"	8 kg 17,6 lb

HS Code (Harmonized System): 732690, HTS Code (Harmonized Tariff Schedule): 7326909890, Country of Origin: Poland

ACCESSORIES AND RELATED PRODUCTS


PWB1



TWB1



TWB2



EWB250

2021 - EDBAK Sp. z o.o. All rights reserved.
 The information included in the specification reflects the current technical specifications at the time of printing. We reserve the right to modify technical or physical specifications without prior notice. EDBAK name and EDBAK logo are registered trademarks of EDBAK Sp. z o.o. All EDBAK images and symbols are sole property of EDBAK Sp. z o.o. Edbak shall not be held liable for any loss or damage caused by incorrect installation or mounting. Copying this specification in whole or in part is only allowed after obtaining written consent from EDBAK Sp. z o.o.
 PWM500-210601-EN