



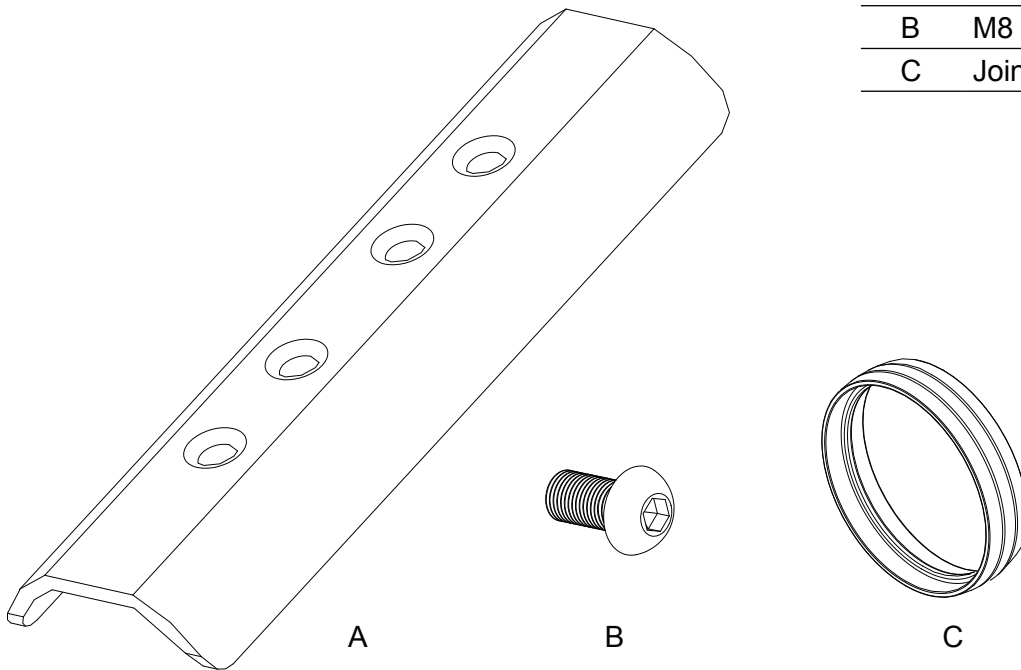
Technical Summary

Pole joiner

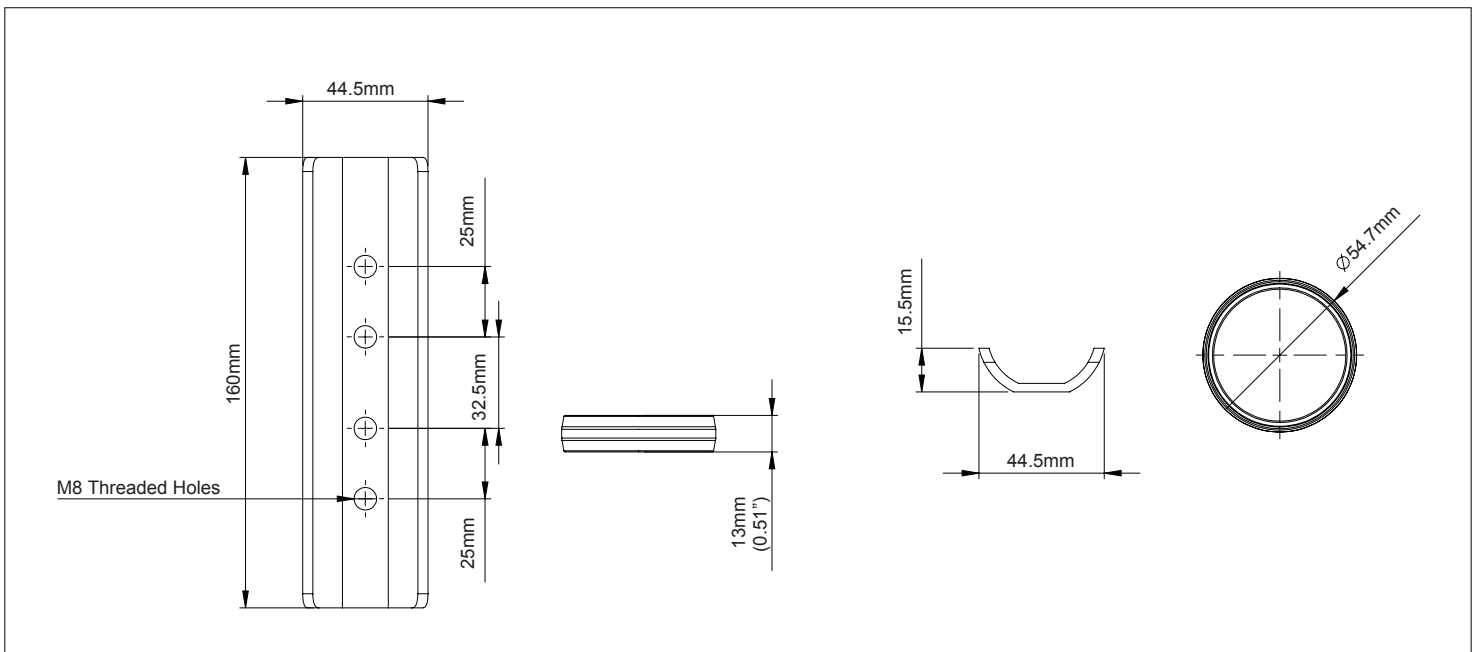
EAN: 7350073734191

COMPONENT CHECKLIST

Item	Name	QTY
A	Joiner Plate	2
B	M8 x 12mm Screw	8
C	Joiner Ring	1

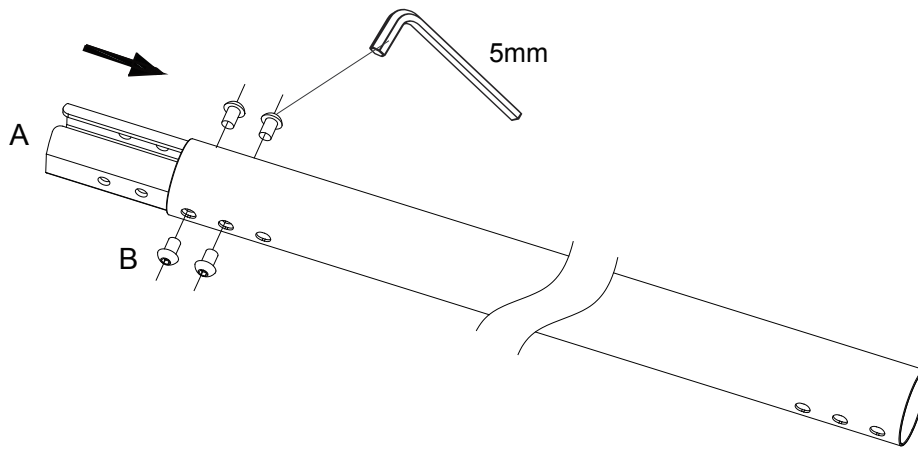


PRODUCT DIMENSIONS

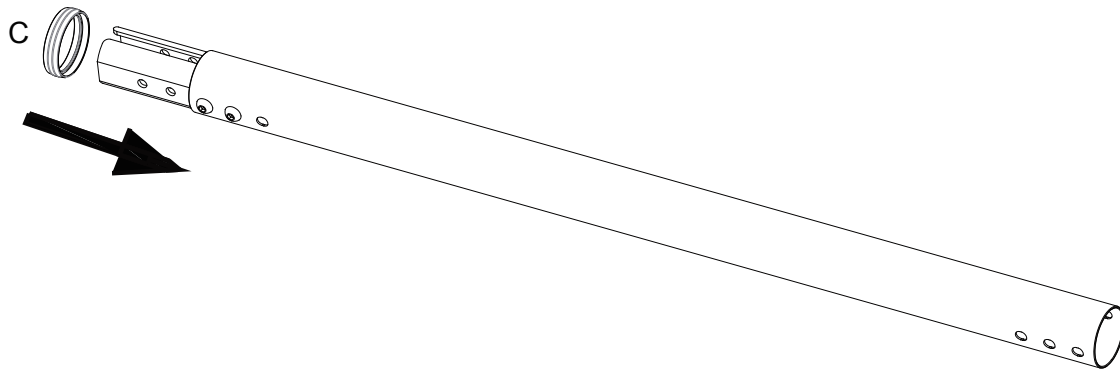


INSTALLATION INSTRUCTION

1. Fasten joiner plate to pole end



2. Slip joiner ring on to pole end



3. Attach additional pole

