

EWB150

UNIVERSAL TILT WALL MOUNT

FOR 26"-40" SCREENS

Designed to fit smaller 26"-40" screens up to 30 kg. A wide range of VESA mounting holes and the level for simple installation make the EWB150 mount extremely functional and easy to install. Screen protection against falling, robust finish and, at the same time, modern design allow the use of EWB150 in various rooms. Installing the screen on the wall increases the amount of free space in the room, while the option of tilting the screen by +12° improves the user's viewing comfort.

FEATURES

- Option of tilting the screens to +12°
- Wide range of VESA mounting holes
- Spirit level to facilitate installation
- Screen protection against falling
- Screen mounting screws included
- Lateral adjustment of the screen mounted on the wall plate
- Minimalist design and functionality
- Simple and quick installation

PRODUCT SPECIFICATIONS

| | |
|-----------------------------|-----------------------|
| Short index | EWB150 |
| Category | Tilt Wall Mounts |
| Product group | Display Mounts |
| Colour | Black |
| Warranty | Limited 5-years |
| Number of screens | 1 |
| Minimum screen size | 26" |
| Maximum screen size | 40" |
| Maximum load | 30 kg |
| Forward tilting | +12° |
| VESA Mounting Compatibility | 100x100 up to 400x400 |



26"-40"



100x100
400x400



+12°



30 kg



RoHS
Compliant



Option of tilting the screens to +12°



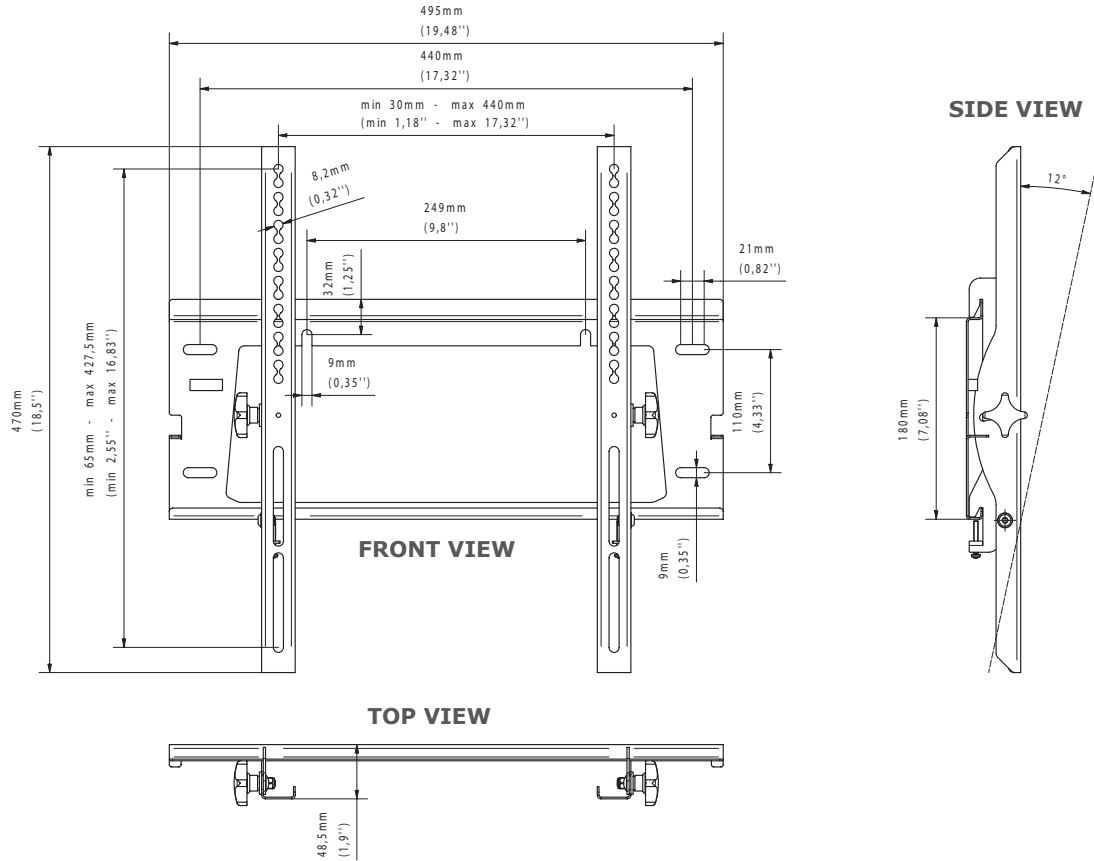
Wide range of VESA mounting holes



Spirit level to facilitate installation



Screen protection against falling


TECHNICAL SPECIFICATIONS

| | |
|-------------------------------------|---|
| Product dimensions | W: 495 mm D: 48,5 mm H: 470 mm (W: 19,49" D: 1,91" H: 18,50") |
| Product weight | 1,7 kg (4 lb) |
| Max. distance from mounting surface | 48,5 mm (1,91") |
| Min. distance from mounting surface | 48,5 mm (1,91") |
| Max. mounting pattern | 440 mm x 427,5 mm |
| Min. mounting pattern | 30 mm x 65 mm |

LOGISTICS DATA

| SAP INDEKS | EAN CODE | COLOUR | PACKAGE DIMENSIONS | PACKAGE WEIGHT |
|----------------|---------------|--------|--|----------------|
| WUSC-EWB150c-B | 5908252963522 | BLACK | 540 x 240 x 85 mm (21,26" x 9,45" x 3,35") | 2,2 kg (5 lb) |

HS Code (Harmonized System): 732690, HTS Code (Harmonized Tariff Schedule): 7326909890, Country of Origin: Poland

ACCESSORIES AND RELATED PRODUCTS


EWB100



EWB250



LWB1



LWB2