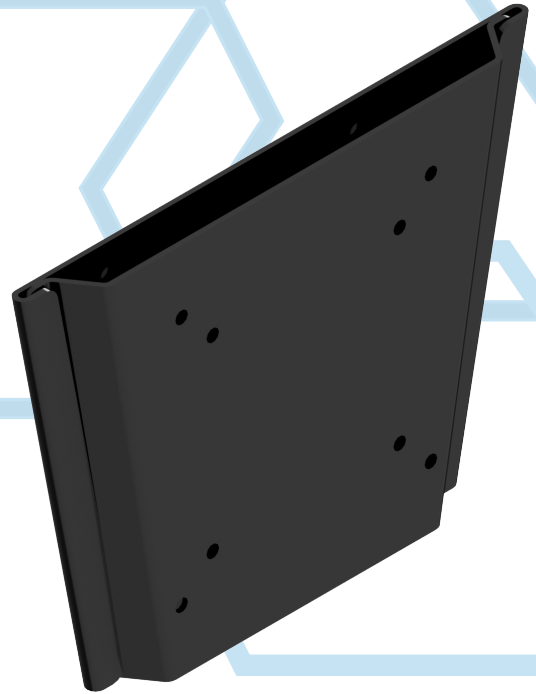


GD22

FLAT WALL MOUNT

FOR 10"-29" SCREENS

Typical flat wall mount for small screens. Its simple design makes it quick and simple to install. The small area occupied by the GD22 mount and its minimum distance from the wall of 18 mm make this mount extremely functional. GD22 is a mount perfect to screen installation in hotel rooms or in small waiting rooms. High-end finish will meet the expectations of the most demanding customers.



FEATURES

- Minimalist design and functionality
- Minimum distance from the wall: 18 mm
- Screen mounting screws included
- Simple and quick installation

PRODUCT SPECIFICATIONS

Short index	GD22
Category	Flat Wall Mounts
Product group	Display Mounts
Colour	Black
Warranty	Limited 5-years
Number of screens	1
Minimum screen size	10"
Maximum screen size	29"
Maximum load	10 kg
VESA Mounting Compatibility	75x75 up to 100x100



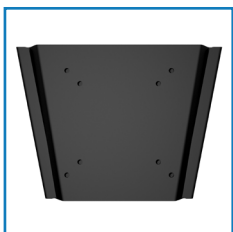
10"-29"



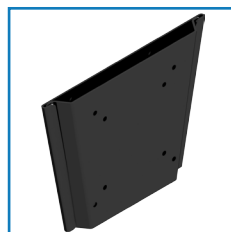
75x75
100x100



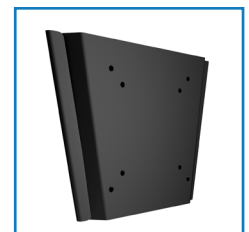
10 kg



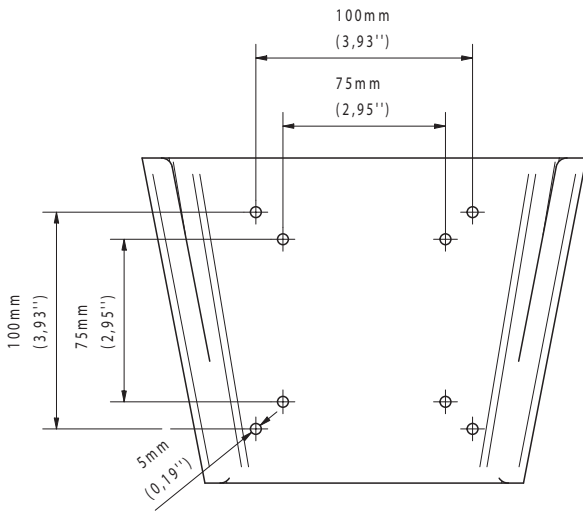
Minimalist design and functionality

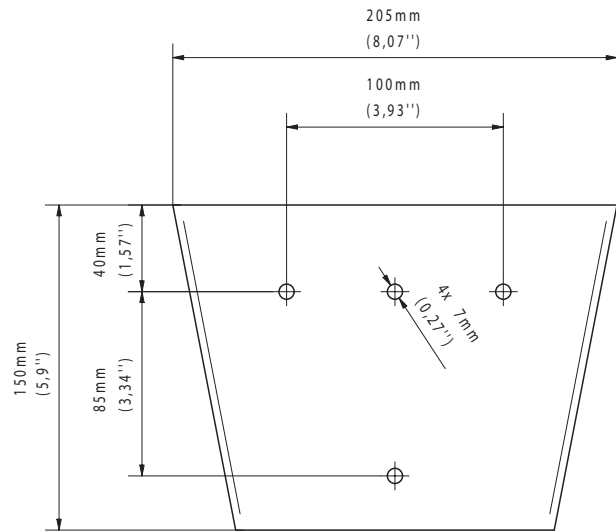


Minimum distance from the wall: 18 mm



Universal VESA system

FRONT VIEW

SIDE VIEW

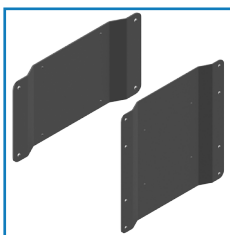
BACK VIEW

TECHNICAL SPECIFICATIONS

Product dimensions	W: 205 mm D: 18 mm H: 150 mm (W: 8,07" D: 0,71" H: 5,91")
Product weight	1 kg (2 lb)
Max. distance from mounting surface	18 mm (0,71")
Min. distance from mounting surface	18 mm (0,71")
Max. mounting pattern	100 mm x 100 mm
Min. mounting pattern	75 mm x 75 mm

LOGISTICS DATA

SAP INDEKS	EAN CODE	COLOUR	PACKAGE DIMENSIONS	PACKAGE WEIGHT
WUSC-GD22c-B	5902841103566	BLACK	225 x 165 x 25 mm (8,86" x 6,50" x 0,98")	1 kg (2 lb)

HS Code (Harmonized System): 732690, HTS Code (Harmonized Tariff Schedule): 7326909890, Country of Origin: Poland

ACCESSORIES AND RELATED PRODUCTS


GDA1/GDA2



GD03



GD04



GD18