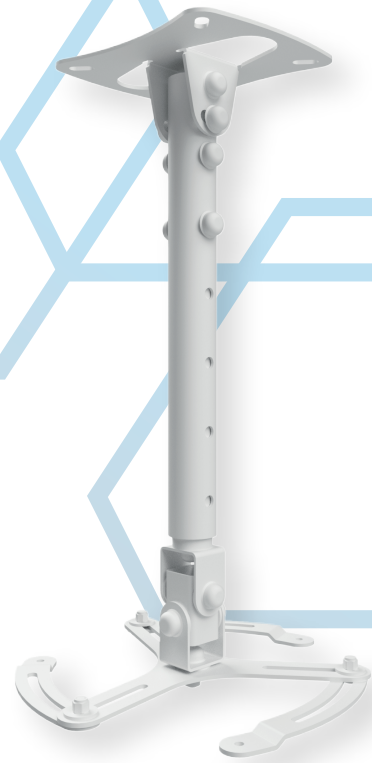


# PM1w-B

## UNIVERSAL PROJECTOR CEILING MOUNT

3 FIXING POINTS



This solidly made universal projector ceiling mount PM1w-B is the basis of any properly made audiovisual installation. The handle is characterized by a load capacity adapted to the weight of the device and protection against accidental falling out of the projector. The mount is characterized by a step adjustment of the distance from the ceiling and mounting the projector with 3 mounting holes.

### FEATURES

- Universal for all key projectors with multiple fixing points
- Telescopic mount - height adjustment
- Professional micro adjustment ensures precise installation
- 360° full Horizontal adjustment

### PRODUCT SPECIFICATIONS

Short index	PM1w-B
Product group	Projector Mounts
Category	Projector Ceiling Mounts
Colour	White
Warranty	Limited 5-years
Maximum load	15 kg
Forward tilting	-18°/+18°
Height adjustment	Yes



15 kg



-18°/+18°



455-655



-90°/+90°



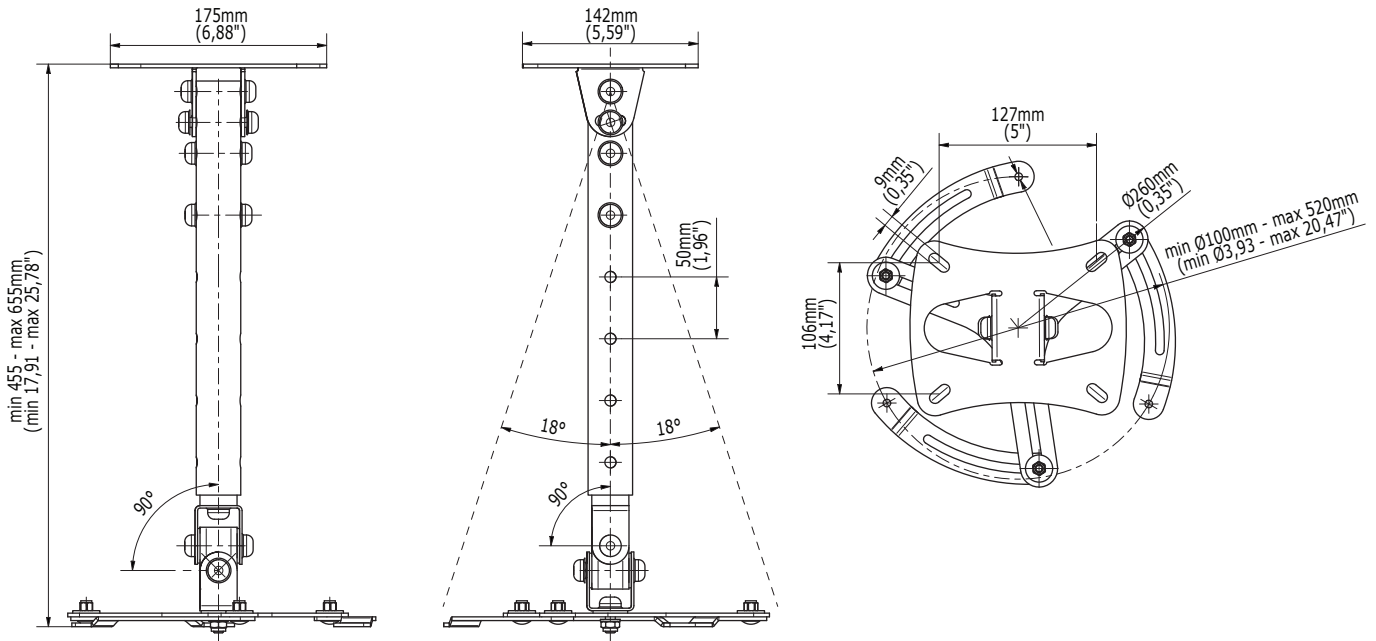
3 mounting holes



Tilt adjustment and rotation



Height adjustment


**TECHNICAL SPECIFICATIONS**

Product dimensions	W: 260 mm D: 260 mm H: 455 mm (W:10,23" D:10,23" H:17,91")
Product weight	2,6 kg (5,73 lb)
Max. distance from mounting surface	655 mm (25,78")
Min. distance from mounting surface	455 mm (17,91")
Max. mounting pattern	520 mm (20,47")
Min. mounting pattern	100 mm (3,93")

**LOGISTICS DATA**

SAP INDEX	EAN CODE	COLOUR	PACKAGE DIMENSIONS	PACKAGE WEIGHT
WUSU-PM1w-B	5908252962334	WHITE	550 x 240 x 85 mm 21,65 x 9,44 x 3,34"	3 kg 6,61 lb

HS Code (Harmonized System): 732690, HTS Code (Harmonized Tariff Schedule): 7326909890, Country of Origin: Poland

**ACCESSORIES AND RELATED PRODUCTS**


PM3w-B



PMV100

2022 - EDBAK Sp. z o.o. All rights reserved.  
The information included in the specifications reflects the current technical specifications at the time of printing. We reserve the right to modify technical or physical specifications without prior notice. EDBAK name and EDBAK logo are registered trademarks of EDBAK Sp. z o.o. All EDBAK images and symbols are sole property of EDBAK Sp. z o.o. Edbak shall not be held liable for any loss or damage caused by incorrect installation or mounting. Copying this specification in whole or in part is only allowed after obtaining written consent from EDBAK Sp. z o.o.  
PM1w-B-211001-EN