

# PWS1

## DOUBLE SWING ARM WALL MOUNT

FOR 42"-52" SCREENS

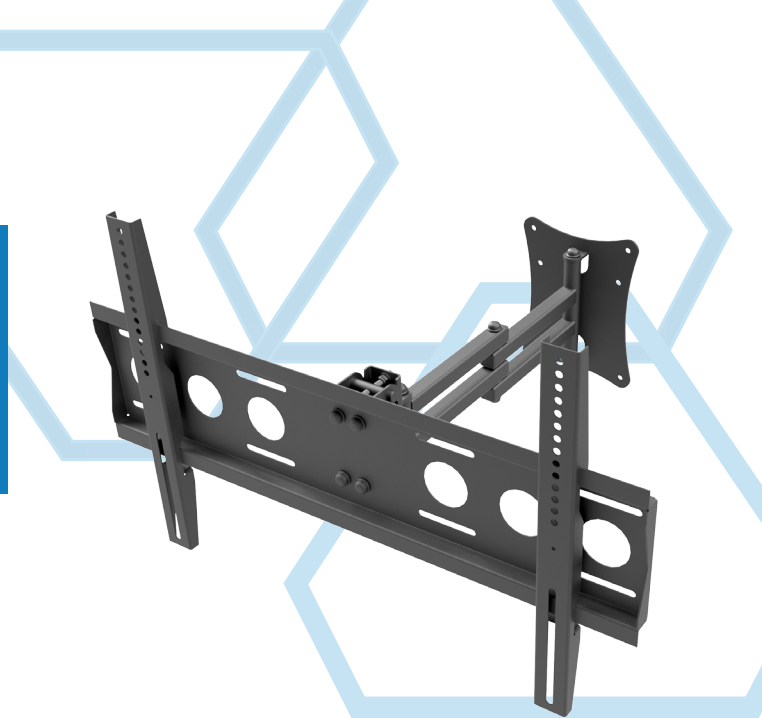
The PWS1 double swing arm wall mount is dedicated to larger screens ranging from 42" to 52". It is a mount with a movable arm that has as many as 3 bending points. Three rotation axes allow any adjustment of the screen position horizontally. The possibility of tilting the screen by  $-6^{\circ}/+9^{\circ}$  and  $90^{\circ}/90^{\circ}$  right-left screen rotation allow the screen position to be adjusted to suit to the user's needs and improve the comfort of use. With its folding arm design, the minimum screen distance from the mounting surface is 160 mm. With its advantages and functionality, PWS1 is perfect for conference rooms, waiting rooms as well as for any public places.

### FEATURES

- Modern design and high-end aesthetics
- Screen adjustment: 3 rotation axes
- Option of screen tilting by  $-6^{\circ}$  to  $+9^{\circ}$
- Protection against accidental shifting of the screen on the beam
- Dedicated for installation in wall corners
- $90^{\circ}/90^{\circ}$  right-left screen rotation
- Maximum load capacity of 80 kg
- VESA universal standard
- Integrated cable management system

### PRODUCT SPECIFICATIONS

Short index	PWS1
Category	Swing Arms Wall Mounts
Product group	Display Mounts
Colour	Black
Warranty	Limited 5-years
Number of screens	1
Minimum screen size	42"
Maximum screen size	52"
Maximum load	80 kg
Left-right rotation	$90^{\circ}/90^{\circ}$
Forward tilting	$-6^{\circ}/+9^{\circ}$
VESA Mounting Compatibility	100x100 up to 600x400



42"-52"



100x100  
600x400



$-6^{\circ}/+9^{\circ}$



$90^{\circ}/90^{\circ}$



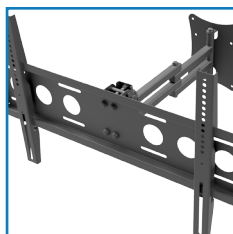
80 kg



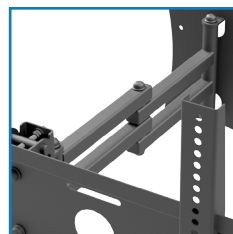
RoHS  
Compliant



Possibility tilting by  $-6^{\circ}$  to  $+9^{\circ}$



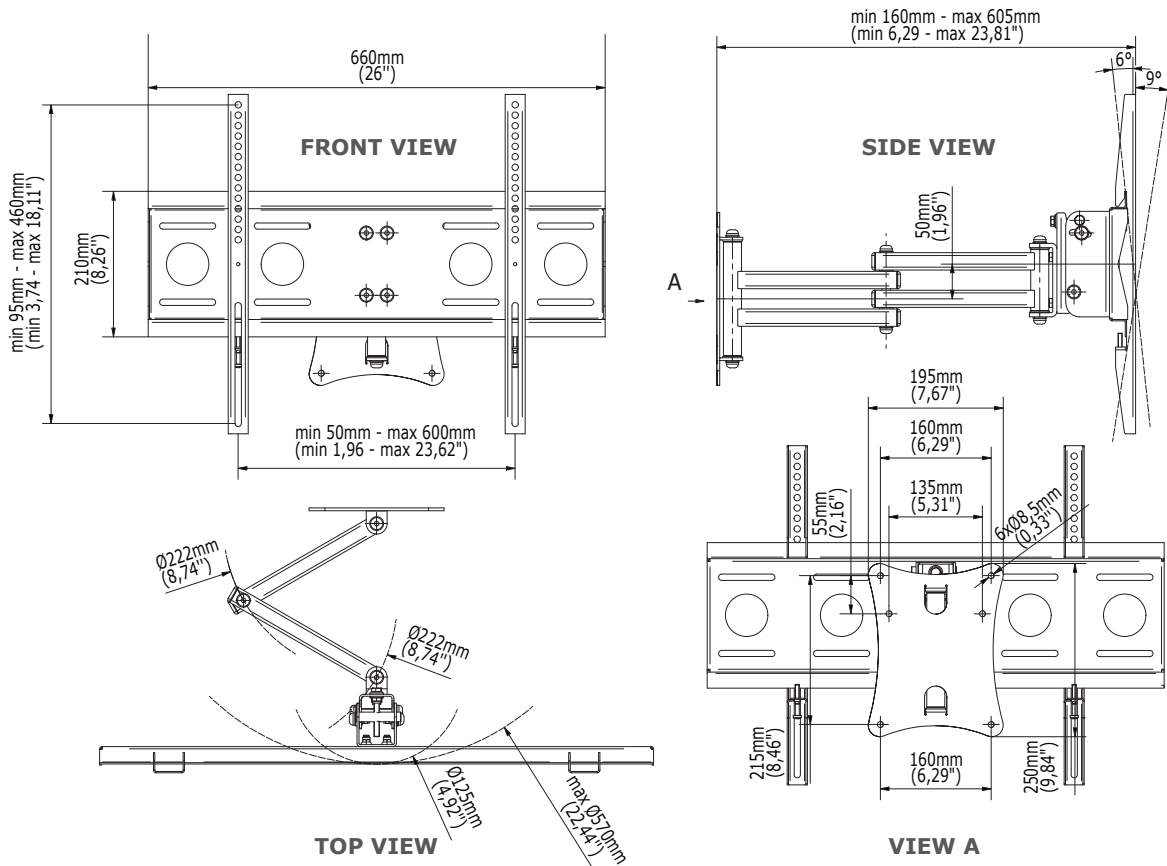
VESA universal standard



$90^{\circ}/90^{\circ}$  right-left  
screen rotation



Integrated cable  
management system


**TECHNICAL SPECIFICATIONS**

Product dimensions	W: 660 mm D: 605 mm H: 490 mm (W: 26" D: 23,82" H: 19,29")
Product weight	9,5 kg 21 lb
Max. distance from mounting surface	605 mm (23,82")
Min. distance from mounting surface	160 mm (6,30")
Max. mounting pattern	620 mm x 460 mm
Min. mounting pattern	50 mm x 95 mm

**LOGISTICS DATA**

SAP INDEKS	EAN CODE	COLOUR	PACKAGE DIMENSIONS	PACKAGE WEIGHT
WUSC-PWS1c-B	5908252962662	BLACK	810 mm x 280 mm x 950 mm (31,89" x 11,02" x 37,40")	10 kg (22 lb)

HS Code (Harmonized System): 732690, HTS Code (Harmonized Tariff Schedule): 7326909890, Country of Origin: Poland

**ACCESSORIES AND RELATED PRODUCTS**
