

# SV01

## DESKTOP MOUNT

FOR 10"-29" SCREENS

SV01 is a universal desk mount for 10"-29" screens, designed for desk work ergonomics in both office and home spaces. Easy tilting of the screen by  $-50^{\circ}$  to  $+50^{\circ}$  and the option of  $360^{\circ}$  screen rotation allow the user to obtain optimum adjustment of the screen and the maximum comfort. Two types of fastenings and the option of screen height adjustment ensure comfort and optimise the workplace. Cable management is integrated in the SV01 mount, which ensures smart installation on the desk.

### FEATURES

- 2 types of fastenings included
- Screen height adjustment
- Option of screen tilting by  $-50^{\circ}$  to  $+50^{\circ}$
- $360^{\circ}$  screen rotation
- Tilting and rotation adjustment
- 2 types of desk fastenings
- Universal VESA system
- Cable management

### PRODUCT SPECIFICATIONS

Short index	SV01
Category	Desktop Monitor Mounts
Product group	Display Mounts
Colour	Black
Warranty	Limited 5-years
Number of screens	1
Minimum screen size	10"
Maximum screen size	29"
Maximum load	10 kg
Arm rotation	$360^{\circ}$
Left-right rotation	$360^{\circ}$
Forward tilting	$-50^{\circ}/+50^{\circ}$
VESA Mounting Compatibility	75x75 up to 100x100



Screen height adjustment



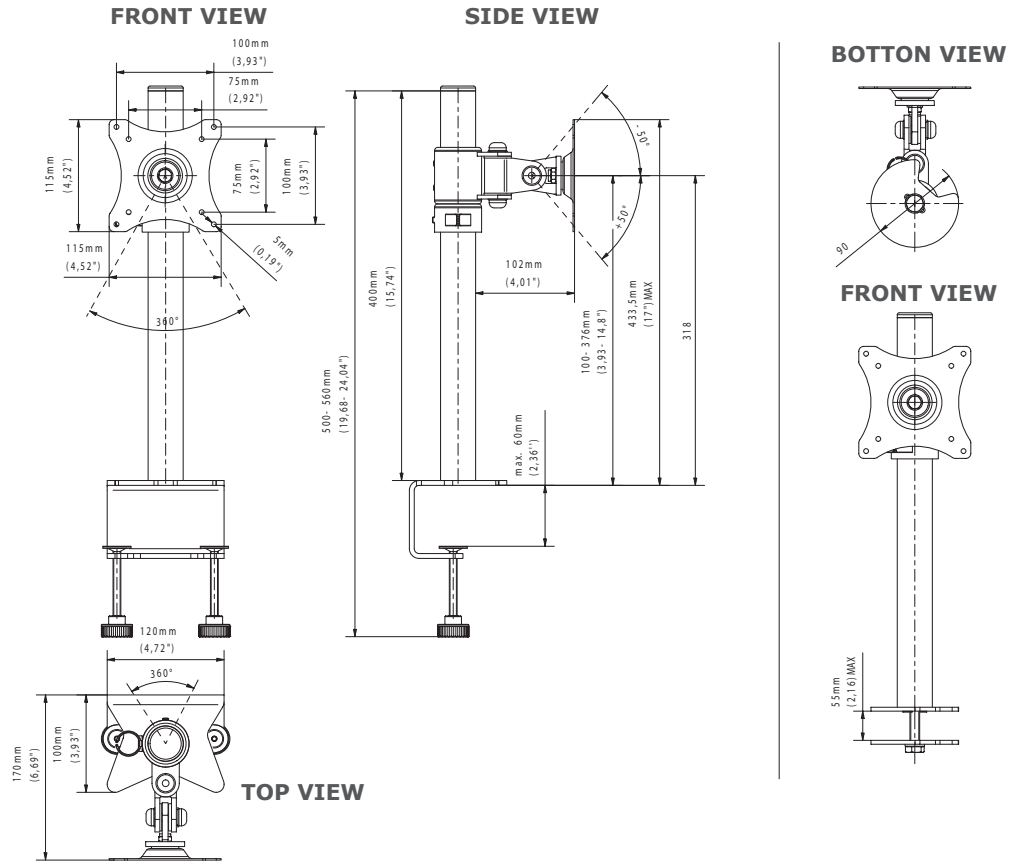
Screen tilting by  $-50^{\circ}$  to  $+50^{\circ}$



2 types of desk fastenings



Cable management



## TECHNICAL SPECIFICATIONS

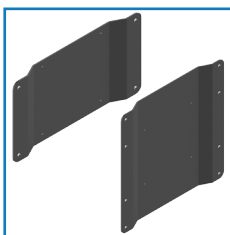
Product dimensions	W: 170 mm D: 120 mm H: 500 mm (W: 4,72" D: 6,69" H: 19,69")
Product weight	2,8 kg (6 lb)
Max. distance from mounting surface	376 mm (14,80")
Min. distance from mounting surface	100 mm (3,94")
Max. mounting pattern	100 mm x 100 mm
Min. mounting pattern	75 mm x 75 mm

## LOGISTICS DATA

SAP INDEKS	EAN CODE	COLOUR	PACKAGE DIMENSIONS	PACKAGE WEIGHT
WUBI-SV01c-B	5902841103122	BLACK	535 x 175 x 125 mm (21,06" x 6,89" x 4,92")	4 kg (9 lb)

HS Code (Harmonized System): 732690, HTS Code (Harmonized Tariff Schedule): 7326909890, Country of Origin: Poland

## ACCESSORIES AND RELATED PRODUCTS



GDA1/GDA2



SV04



DM101



MSV1